

SPECIFICATION

受 控

Customer : QUARTZ

Applied To :

Product Name : Speaker

Model Name : KP45170SP3R16-WP-7857


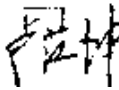
Drawing No. : KFC7857

Compliance with ROHS

Signature of Appronal

--

Signature of KEPO

Approved by	Checkde by	Issued by	Date
			



宁波凯普电子有限公司

Ningbo Kepo Electronics Co.,Ltd.

宁波东钱湖镇东钱湖工业区宝源路 25 号

TEL:+86-574-88370330 FAX:+86-574-88370329

No.25 Baoyuan road Dongqian Lake, Industry Area, Dongqian town, Ningbo City,

China(Post Code:315121)

Sales@chinaacoustic.com www.chinaacoustic.com

Specification for Speaker	Page	2/10
	Revision No.	1.0
Model No. : KP45170SP3R16-WP-7857	Drawing No.	KFC7857

CONTENTS

1. Scope
2. General
3. Electrical and Acoustic Characteristics.
4. Reliability Test
5. Measurement Block Diagram & Response curve
6. Structure
7. Waterproof part drawing
8. Dimensions
9. Packing
10. Revision

Specification for Speaker	Page	3/10
	Revision No.	1.0
	Drawing No.	KFC7857
Model No. : KP45170SP3R16-WP-7857		

1. Scope

This specification is applied to the dynamic speaker which is used all of the electrical acoustic product.

-- compact, rich sound

-- applications: telephone, print, electrical appliance, etc. ..

2. General

2.1 Out-Diameter : 44.5 mm

2.2 Height : 17 mm

2.3 Weight : 27 g

2.4 Operating Temperature range:

-20 ~+60 °C without loss of function

2.5 Store Temperature range:

-25 ~+60°C without loss of function

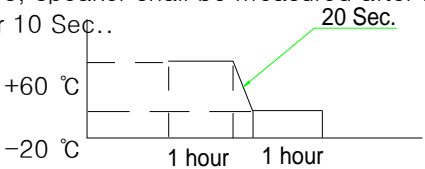
3. Electrical and Acoustic Characteristics.

Test condition : 15 ~ 35 °C, 25% ~ 85% RH, 860~1060 mbar

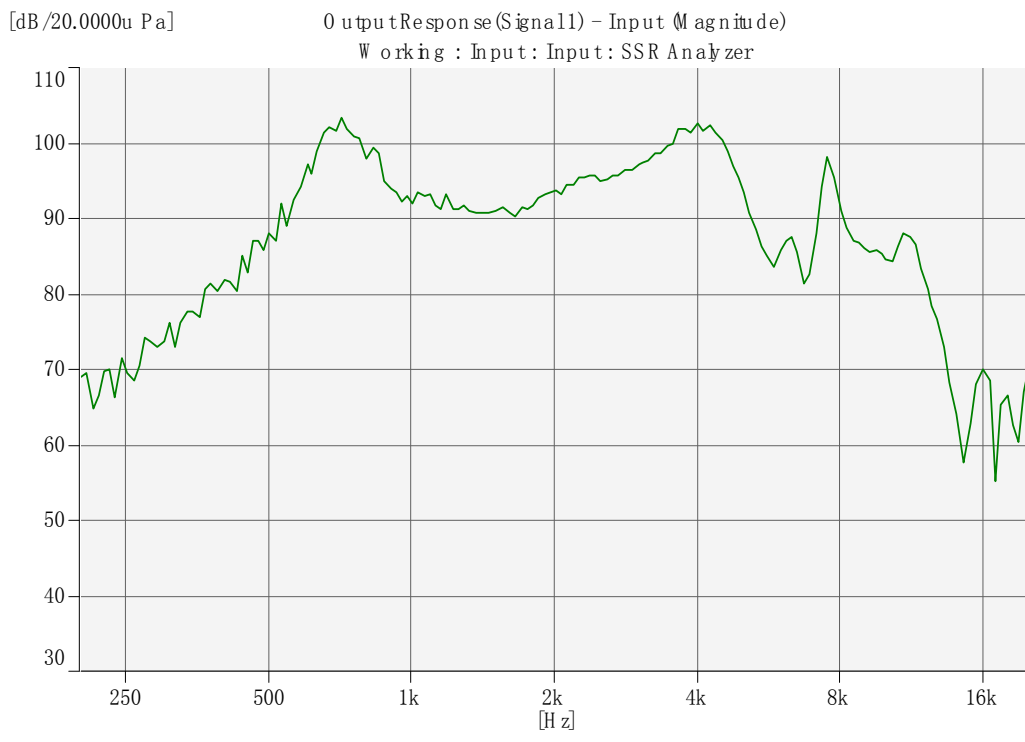
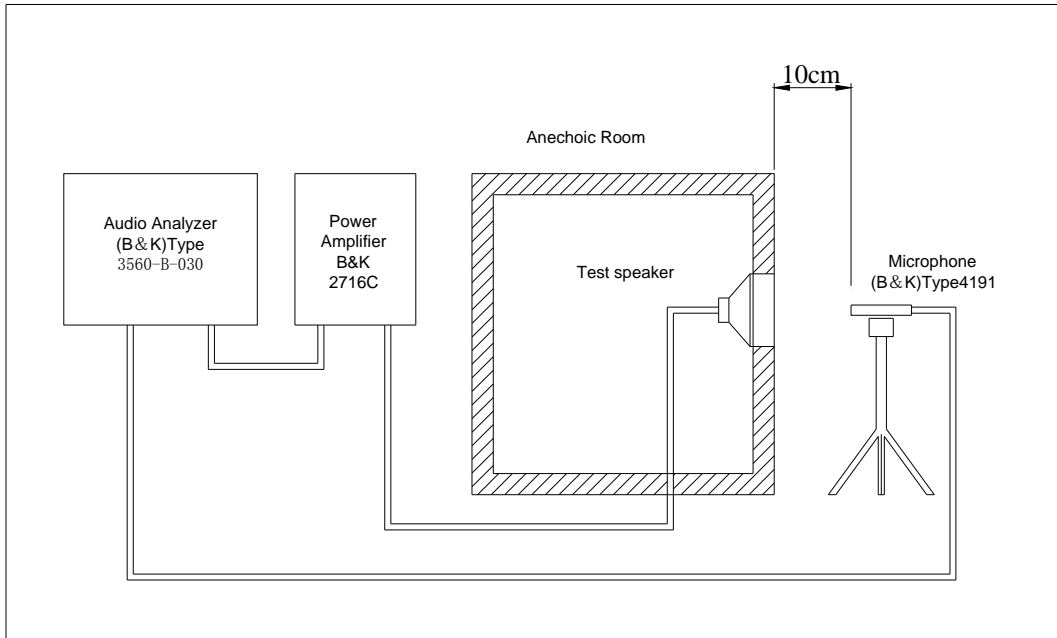
No	Items	Specification
1	Impedance	16 Ω ± 15% (1Vrms at 1.5KHz)
2	Sound Pressure Level	92 dB ± 3dB (0.1W/0.1M Avg. at 1k,1.2k,1.5k,2kHz)
3	Resonance Frequency	800 Hz ± 20%
4	Frequency Range	Fo ~4KHz
5	Input Power	Rated 3 W / Max. 4 W
6	Distortion	10% Max. at 2kHz 3W
7	Buzz and Rattle	Should not be audible buzzes,rattles when the 6.93V sine wave signal swept at frequency range.
8	Polarity	When supplied plus D.C. voltage to (+) terminal, the cone diaphragm must move to forward.
9	Water-proof	IPX7

4. Reliability Test

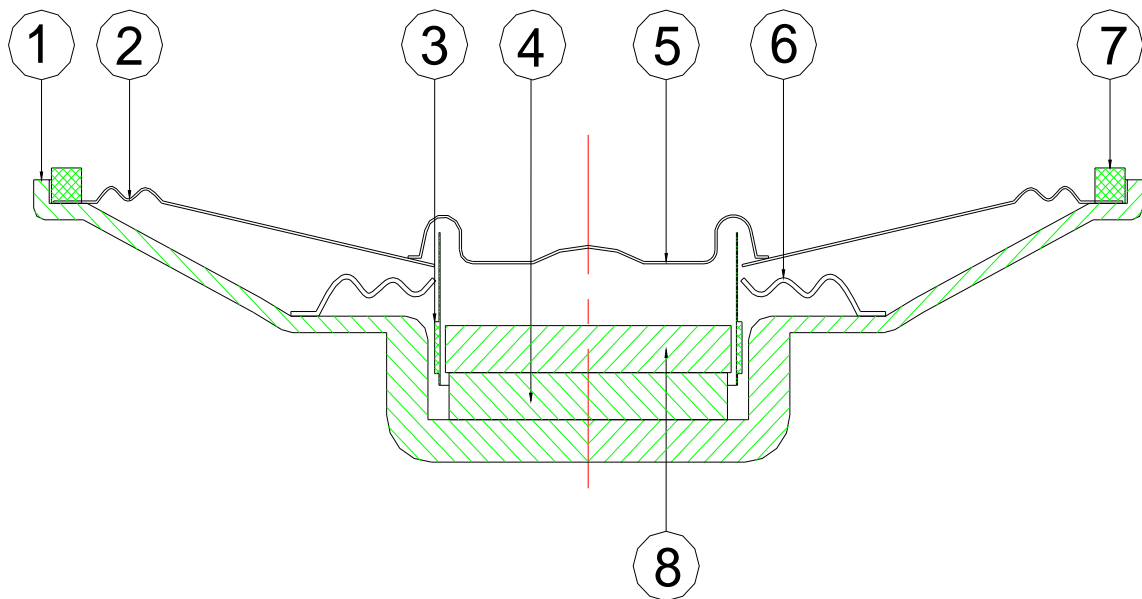
After test(1~7item), the speaker S.P.L . difference shall be within $\pm 3\text{dB}$, and the appearance not exist any change to be harmful to normal operation (e.g. cracks,rusts,damages and especially distortion).

No	Items	Specification
1	High Temperature Test	After being placed in a chamber with $+60^{\circ}\text{C} \pm 3^{\circ}\text{C}$ for 96 hours and then being placed in natural condition for 1 hour, speaker shall be measured.
2	Low Temperature Test	After being placed in a chamber with $-25 \pm 3^{\circ}\text{C}$ for 96 hours and then being placed in natural condition for 1 hour, speaker shall be measured.
3	Humidity Test	After being placed in a chamber with 85 to 90%R.H. at $+40 \pm 2^{\circ}\text{C}$ for 96 hours and then being placed in natural condition for 1 hour, speaker shall be measured.
4	Thermal Shock Test	<p>After being placed in a chamber at $+60^{\circ}\text{C}$ for 1 hour, then speaker shall be placed in a chamber at -20°C for 1 hour(1 cycle is the below diagram).</p> <p>After 4 above cycles, speaker shall be measured after being placed in natural condition for 10 Sec..</p> 
5	Vibration Test	After being applied vibration of amplitude of 1.5mm with 10 to 55Hz band of vibration frequency to each of 3 perpendicular directions for 1 hour, then placed in natural condition for 1 hour, speaker shall be measured.
6	Drop Test	The speaker when mounted in the jig which weight 85g~100g, shall with stand 15 times random drops from a height of 1.5 meter to a concrete floor faced with 5mm thick hard wood board.and be nothing mechanical damage.
7	Load test	After being applied loading white noise with input power 3W(6.93Vrms.) for 96 hours, then placed in natural condition for 1 hour, speaker shall be measured.
8	Insulation test	When they are measured with DC 100V the insulation resistance between v.c. terminal and frame must be more than 1 MΩ

5. Measurement Block Diagram & Response curve



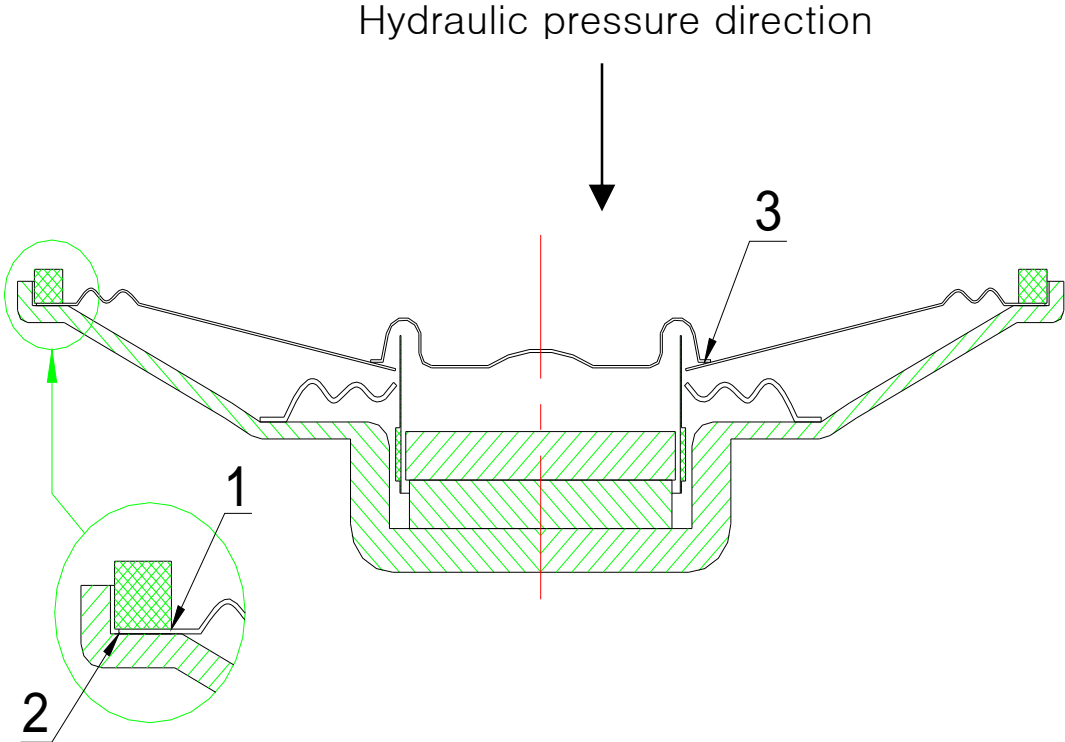
6. Structure



8	Top Plate	1	SPCC	
7	Gasket	1	ABS	
6	Spider	1	Silk	
5	Dust Cap	1	Mylar	
4	Magnet	1	Nd-Fe-B	
3	Voice Coil	1	Paper+Copper	
2	Waterproof Cone	1	Mylar	
1	Frame	1	SPCC+Q195	
No.	Part Name	Q'ty	Material	Remarks

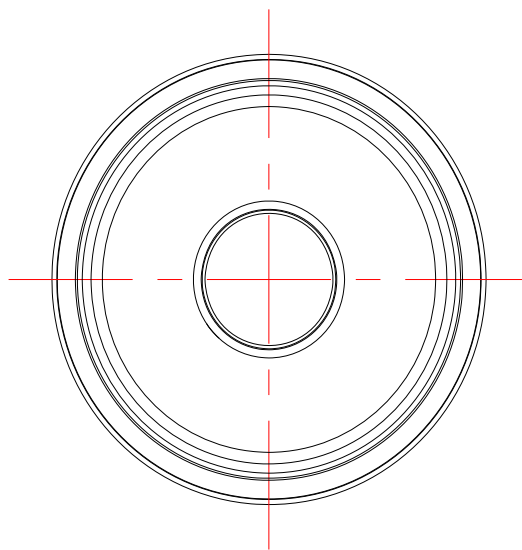
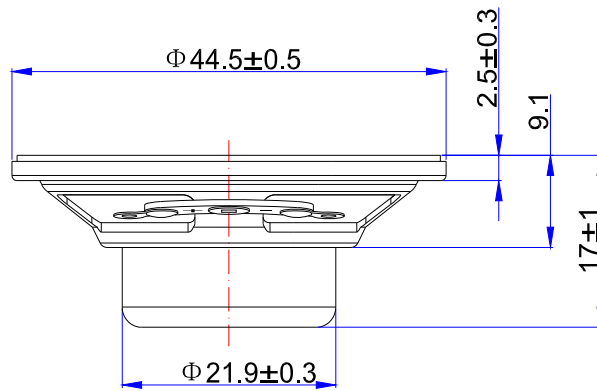
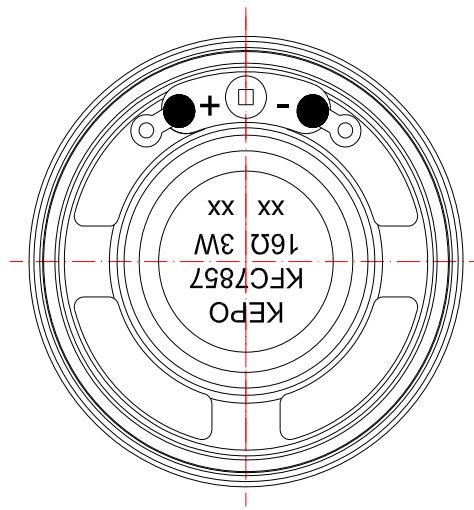
Specification for Speaker	Page	7/10
	Revision No.	1.0
Model No. : KP45170SP3R16-WP-7857	Drawing No.	KFC7857

7. Waterproof part drawing

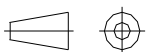


3	Between Waterproof Cone and Dust Cap	Product under 4.9kpa hydraulic pressure for 30 minute, the water will not filter.
2	Between Waterproof Cone and Frame	
1	Between Waterproof Cone and Gasket	
No.	Part Name	Waterproof conditions

8. Dimensions



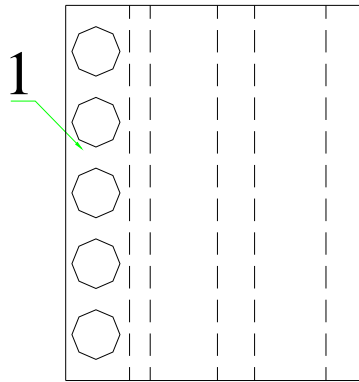
FIRST ANGLE PROJECTION



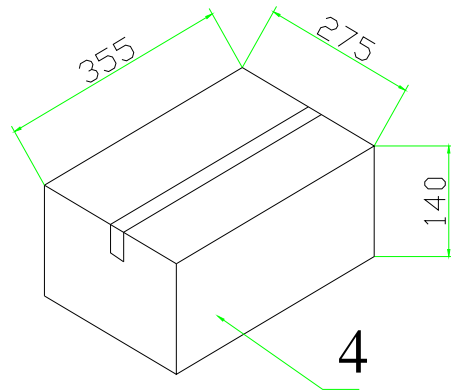
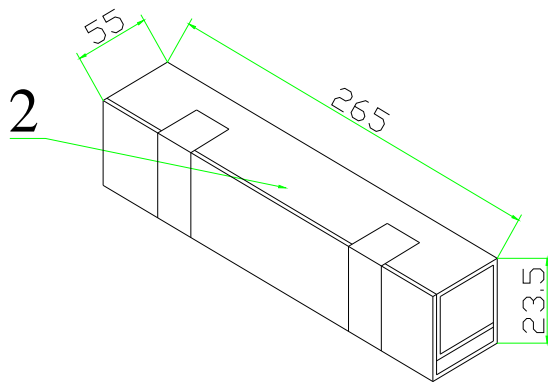
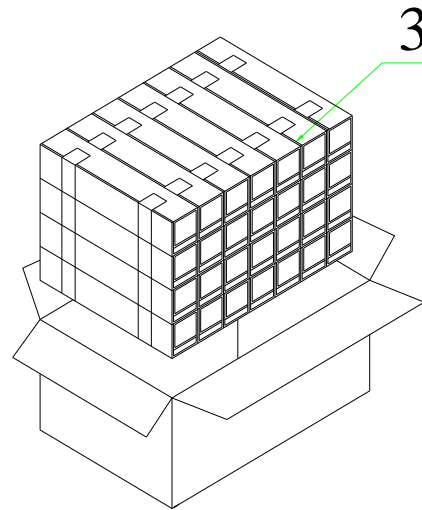
UNIT : mm

Tolerance : ± 0.3

9. Packing



5Pcs



QTY:150Pcs

355 x275 x140

